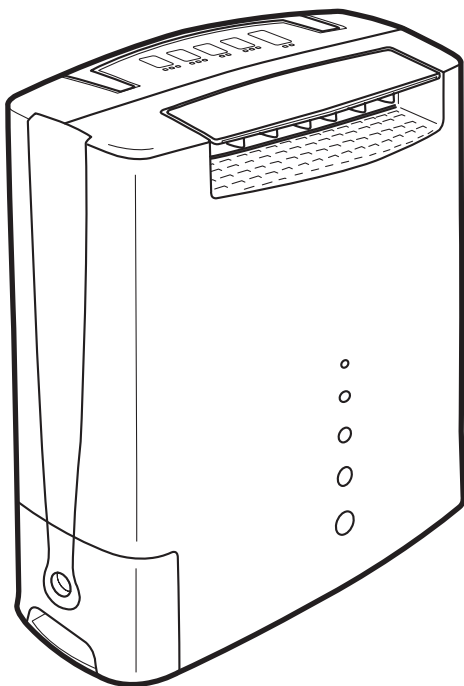


TÖYÖTÖMI



TD-Z110

DESICCANT TYPE DEHUMIDIFIER

**DESHUMIDIFICATEUR D'AIR À
ADSORPTION**

ADSORPTIONSTROCKNER

**ADSORPTIE DROOGMIDDEL
LUCHTONTVOCHTIGER**

OPERATING MANUAL

MANUAL D'UTILISATION

BEDIENUNGSANLEITUNG

GEBRUIKSAANWIJZING

ENGLISH

FRANÇAIS

DEUTSCH

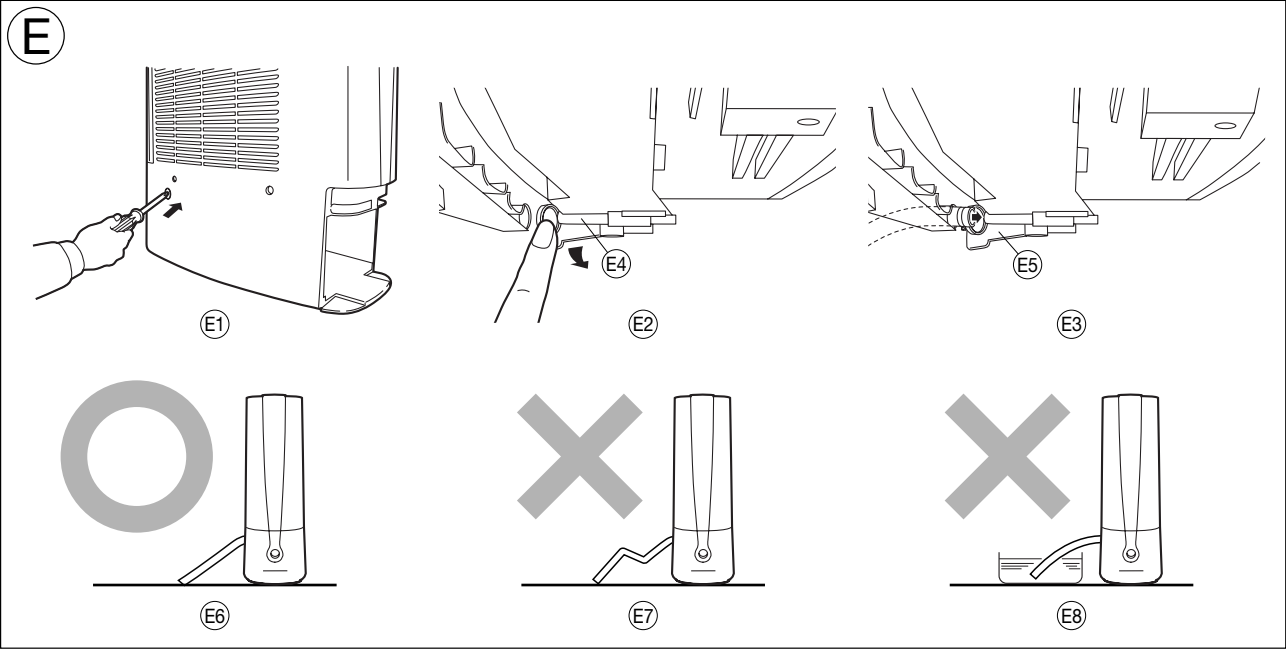
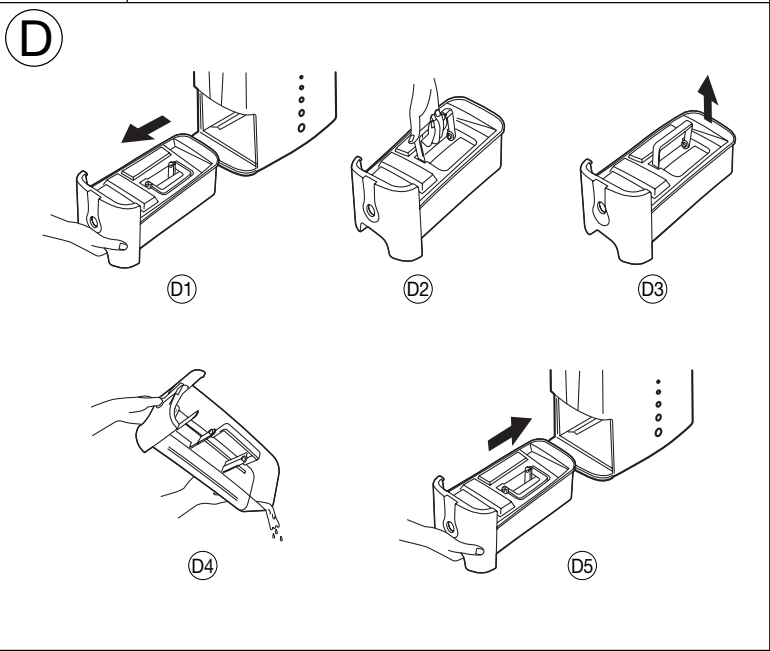
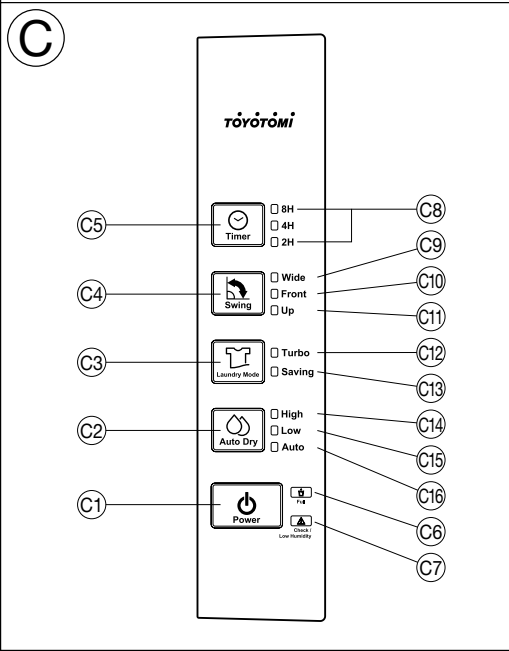
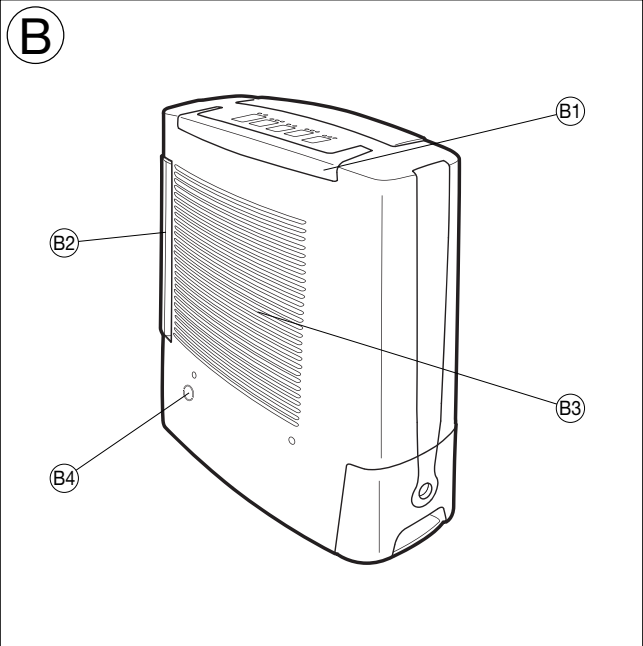
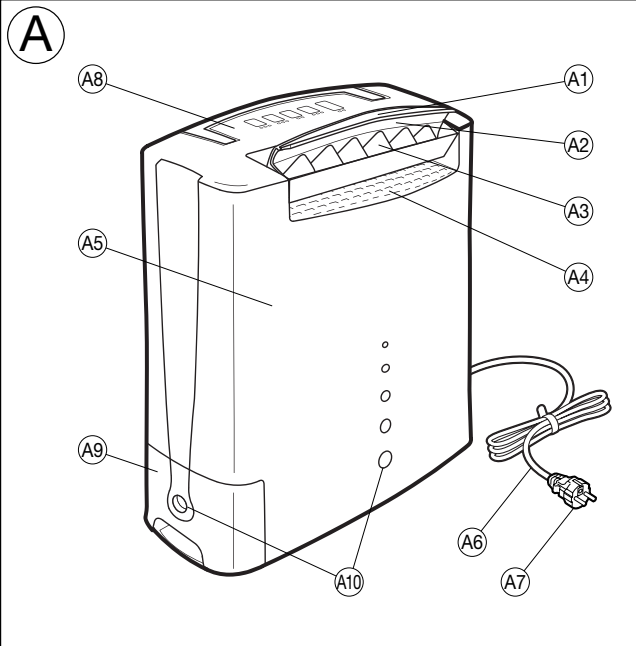
NEDERLANDS

P. 1

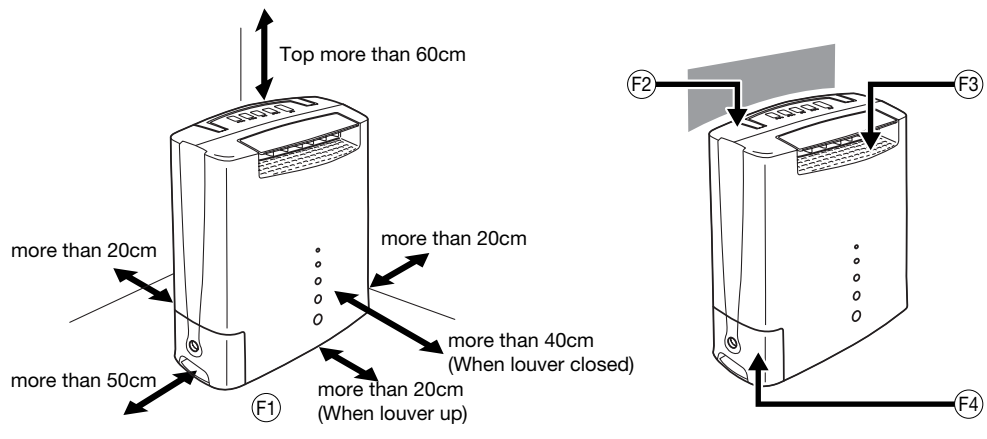
P. 5

P. 9

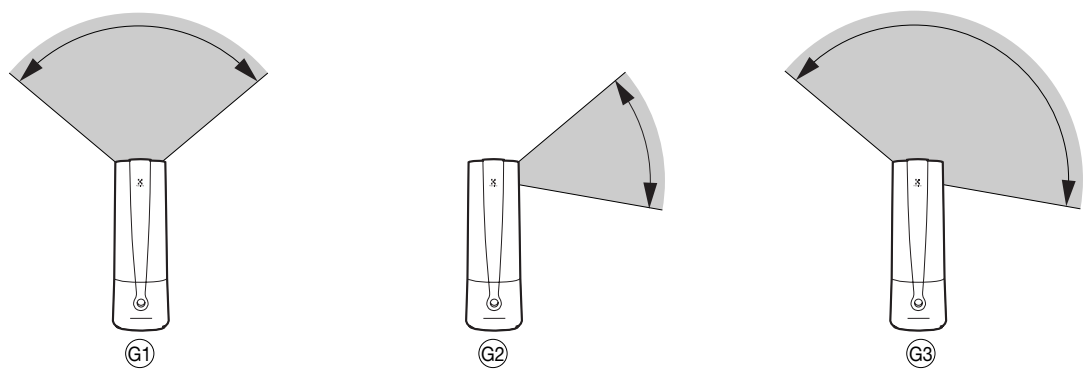
P.13



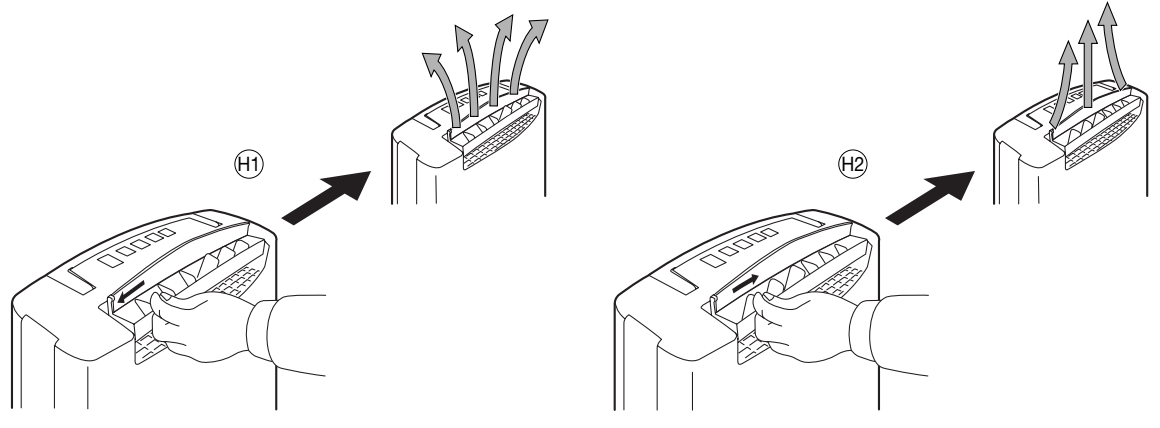
F



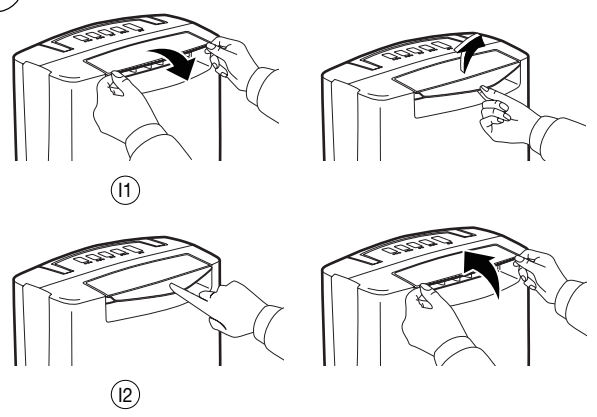
G



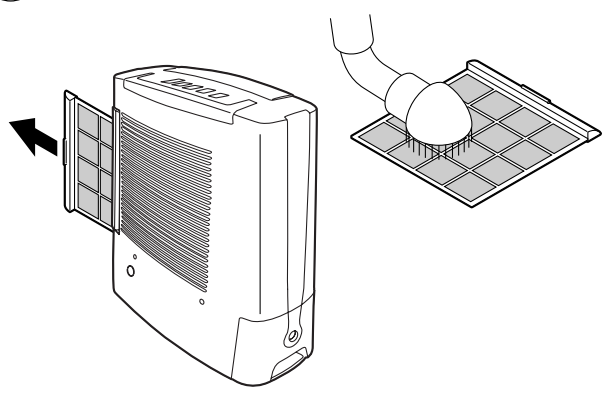
H



I



J



SUMMARY

The idea behind the unit is to dehumidify all season even if it is winter. This model features desiccant instead of compressor. Accordingly this model is not affected by room temperature. Also, desiccant type dehumidifier does not use harmful gasses, so it can be said as environmentally friendly.

It dries the air so that you can stay comfortable even when it's humid or rainy outside. Also your furnishings, fabrics and clothes are kept in good condition, and it is easy to dry your laundry and dry it quickly. Desiccant type is quieter than the compressor type, therefore you can dry the laundry at night and it will be dried in the morning. OFF-timer function which can be selected 2 hours, 4 hours, or 8 hours enables you to use the unit more conveniently especially at night.

OPERATIONAL FEATURES

FEATURES

1. COMPRESSORLESS DEHUMIDIFIER

This model uses desiccant rotor technology and is environmentally friendly with no harmful gasses & quiet in operation.

2. AUTOMATIC OPERATION

Once the desired function has been set, the humidity sensor controls room humidity automatically. And it is memorized as long as it remain connected to the wall outlet. In the event of power failure, the appliance will continue to operate at the selected setting prior to the power failure.

3. LAUNDRY MODE

This mode can dry rapidly the hanged laundry in the room. You can select Turbo Laundry Mode or Saving Dry Mode depending on the amount of laundry.

4. AUTO SWING LOUVER

It can be selected 3 way angles, wide angle (150°), front angle (60°), or upward angle (90°). The auto swing louver mode is useful for speeding up the drying of laundry evenly.

5. TIMER OPERATION

The unit will turn off after the designated period of time (2, 4, 8 hours).

6. ANTI BACTERIAL FILTER

Nano-silver embedded in the filter kills bacteria on contact, improving the quality of air in your home or office.

7. DOWNWARD ADJUSTABLE MANUAL LOUVER

Downward louver enables the unit to blow downward angle air of about 50°. This louver is useful for drying shoes, bathroom floor and shoe locker by sending the dried air directly.

1. DESCRIPTION

Fig.A FRONT

A1	Louver
A2	Downward adjustable louver
A3	Wide / Spot adjustable louver
A4	Air outlet
A5	Front panel
A6	Power supply cord
A7	Power plug
A8	Operation panel
A9	Water tank
A10	Water gauge

Fig. B REAR

B1	Carrying handle
B2	Air intake grille (Pre-filter)
B3	Air intake
B4	Water outlet drain for continuous drain operation

Fig. C OPERATION PANEL

C1	Power button
C2	Auto dry mode button
C3	Laundry mode button
C4	Auto swing button
C5	Timer button
C6	Full lamp (When the tank filled up with water, the lamp will light.)
C7	Check / Low humidity indicator lamp
C8	Timer indicator lamp (2,4,8 hours)
C9	Wide louver setting indicator lamp
C10	Front louver setting indicator lamp
C11	UP louver setting indicator lamp
C12	Turbo laundry mode lamp
C13	Saving laundry mode lamp
C14	High dry mode air flow lamp
C15	Low dry mode air flow lamp
C16	Auto dry mode air flow lamp

2. SAFETY TIPS

IMPORTANT

- Read instruction carefully before operation.
- The unit should be operated when the room temperature is between 1°C to 40°C.

⚠ WARNING

This appliance is intended for use in a domestic environment only. Any other use is not recommended by the manufacturer and may cause fire, electrical shocks or other injury to person or property.

When using electrical appliances, basic safety precautions should always be followed:

- DO NOT operate the unit with a damaged cord or plug, after it malfunctions or has been dropped or damaged in any way. Return to an authorized service facility for examination and repair.
- This unit should always be kept in an upright position to avoid any damage. Locate the unit on a flat stable surface.
- Check the household voltage to ensure it matches the units rated specification before operating.
- Ensure that the air inlets and outlets are not blocked or covered.
- DO NOT place the unit too close to curtains or other objects - minimum distance 40cm.
- When using the "LAUNDRY MODE" to speed up the drying of wet clothes in the room, please keep the clothing at a safe distance from the unit to prevent water from dropping onto the unit.
- NEVER place anything on top of the unit and do not cover with any kind of material while in use.
- This product is intended for domestic and light office use ONLY and not for commercial, industrial or outdoor use.
- To protect against electrical shocks, DO NOT immerse unit, plug or cord in water, or spray with liquids.
- NEVER unplug the power cord without pressing the "POWER" button first, as this could damage the unit.
- ALWAYS unplug the unit when not in use or moving location. To disconnect from the power supply, grip the plug and pull from the power socket. NEVER pull by the cord.
- ALWAYS empty the water tank before storing the unit away.
- Using the dehumidifier in front of a warm radiator can result in the dehumidifier not collecting any water because of the heat from the radiator.
- DO NOT run power cord under carpets, rugs, or floor mats of any kind. Arrange the cord away from areas where it may be tripped over
- NEVER operate or store the unit in direct sunlight.
- To repair the unit, take it to a qualified service engineer. Repairs carried out by unqualified people may cause damage to the unit or injury to persons or property and void the warranty.
- Where possible, avoid the use of an extension cable as they may overheat and cause a risk of fire. Only use an extension cord after ensuring it is in perfect condition.
- DO NOT use the unit without the air filter and make sure that the filter is kept clean to avoid malfunction and invalidating the warranty.
- This appliance can be used by children aged from 8 years and above and persons with reduced physical, sensory or mental capabilities or lack of experience and knowledge if they have been given supervision or instruction concerning use of the appliance in a safe way and understand the hazards involved.
- Children shall not play with the appliance.
- Cleaning and user maintenance shall not be made by children without supervision.

3. OPERATION

UNIT SET UP (Fig. F)

- Place the unit in an upright position on a stable, flat surface.
- Ensure that the unit is a safe distance away from a wall or furniture (Fig. F1).
- Keep clothes at a safe distance of 40 cm from air outlet of the unit to prevent water dripping into the unit.

⚠ CAUTION

- Keep suitable space as above. (F2)
- DO NOT insert small objects into the unit or this will damage it and cause a hazard. (F3)
- DO NOT remove water tank when running or water may leak. (F4)
- Ensure that the water tank is fitted correctly, if the tank is full or is not in place, the "FULL" lights and the machine stops. (F4)

AUTO DRY MODE**OPERATING STEPS:**

- 1. PRESS "POWER" BUTTON (C1) TO "ON".**
- 2. PRESS AUTO DRY MODE BUTTON.**
Press the "AUTO DRY" mode button (C2) to set your desired mode "AUTO", "LOW" or "HIGH".
AUTO mode (C16)
Keeps the room at a comfortable relative humidity (rh) level.
The unit automatically keeps room humidity at 45~50%rh with automatic high or low fan speed.
LOW mode (C15)
Run in low fan speed.
The unit automatically dehumidify in low fan speed and low heater.
HIGH mode (C14)
Super dry mode to prevent condensation.
The unit automatically keeps room humidity at 35~40%rh to prevent condensation in the room.
- 3. PRESS AUTO LOUVER BUTTON**
Press the Auto louver button (C4) to select your desired air louver angle (C9, C10, C11). Please refer to the detailed instruction at below.
- 4. STOP OPERATION**
Press the "POWER" button (C1) and all lights will go out.
CAUTION: After turning the appliance OFF using the Power button, the fan will continue to run for two minutes. This is a normal procedure and helps to cool and protect the internal components. During these two minutes, DO NOT remove the power plug from the electrical socket outlet; wait for the fan to stop running.

LAUNDRY DRY MODE**OPERATING STEPS:**

- 1. PRESS "POWER" BUTTON (C1) TO "ON".**
- 2. PRESS LAUNDRY DRY MODE BUTTON.**
Press the "LAUNDRY DRY" mode button (C3) to set your desired mode "SAVING" or "TURBO".
SAVING mode (C13)
Suitable for when the laundry amount is small or in summer to save power.
The unit automatically shifts to provide warm air or fan air depending on the room temperature. Assists to dry clothes with low power and lower room temperature.
TURBO mode (C12)
Suitable for when the laundry amount is large or in winter to dry clothes effectively.
The unit automatically provides heated air to dry clothes faster with higher power.
- 3. PRESS AUTO LOUVER BUTTON**
Press the Auto louver button (C4) to select your desired air louver angle. (C9, C10, C11) Please refer the detailed instruction at below.
- 4. STOP OPERATION**
Press the Power button (C1) and all lights will go out.
CAUTION: After turning the appliance OFF using the Power button, the fan will continue to run for two minutes. This is a normal procedure and helps to cool and protect the internal components. During these two minutes, DO NOT remove the power plug from the electrical socket outlet; wait for the fan to stop running.

AUTO SWING LOUVER (Fig. G)

By pressing the Auto Louver button (C4), select your desired air louver angle and the Louver setting indicator lamp will light.
UP → FRONT → WIDE → HOLD (Lamp off) → UP
UP (G1).....The automatic louver swings in an upward range of approx. 90°
FRONT (G2)...The automatic louver swings in a front range of approx. 60°
WIDE (G3).....The automatic louver swing in a wide range of approx. 150°
HOLDThe automatic louver stops swinging when you press Auto louver button and turns the lamp off.

The auto louver modes are useful for speeding up the drying of washing, wardrobes and walls because the fact that the airflow is hitting the surface of whatever it is that you want to dry will speed up the drying process as the water molecules will be forced out faster.

WIDE / SPOT ADJUSTABLE LOUVER (Fig. H)

Wide blowing (H1) → Adjust the blades outwards for an expanded airflow.

Spot blowing (H2) → Adjust the blades inwards for a spot air flow.

DOWNWARD ADJUSTABLE LOUVER (Fig. I)

- To pull out the louver, holding both ends and pull out. Lock the louver by turn the portion upward central. (I1)
- To place back the louver, unlock the louver by pushing the portion downward central. Holding both ends and push back. (I2)

TIMER OPERATION

Auto turning OFF:

Press the Timer Key (C5) to select your desired running time (2,4 or 8 hours) (C8). The unit will automatically switch off at the end of the selected time period. As the time counts down, the lamp (4 or 2 hours) will indicate the time remaining.

When no Timer is set (the lamp is off), the unit will run continuously unless the water tank is already full.

2hours → 4hours → 8hours → Continuous (lamp OFF) → 2hours

CONTINUOUS DRAINAGE MODE (Fig. E)

For continuous drainage, use a hose with an inner diameter of 12mm and outer diameter of 14mm~16mm.

- Remove the water tank.
- Use a screwdriver to remove the knockout at the back. (E1) Pushing down and hold the stopper (E4) for drainage pipe by finger (Fig. E2). Attach the hose to the drainage pipe (E5) through the hole (Fig. E3).
- Remove the tank cover and restore the water tank into the unit. If the tank is not restored in the unit, full tank lamp will light and cannot start operation.
- The tubing should be lead to the drain with no sharp bends. (E6, E7, E8)

NOTE:

- The water tank must be in the correct position before tubing.
- Remove the tubing before pulling out the water tank.
- Remove the hose from the continuous drainage hole. Be sure to put the tank cover on the water tank and restart operation.

4. EMPTY THE WATER TANK (Fig. D)

- When the water tank is full, the Water full indicator lamp will light and unit stops in a few minutes.

NOTE: DO NOT move the unit or remove the water tank, if the unit is still operating, as water may leak, damage the unit or cause an electric shock.

- By gripping the bottom of the water tank, remove the water tank (D1) and lift carefully with handle (D2)
- Remove the cover of bucket first (D3), then pour the water away, (D4). Clean the water tank and restore the cover and the water tank (D5) to the correct position.

NOTE:

- Clean the water tank with clean water if needed. DO NOT use solvent, abrasive or hot water.
- DO NOT remove or damage the float in the tank, or the unit cannot work correctly.
- The water tank cover must be well fitted in position.
- The water full indicator lamp lights if the water tank is not well in the position.

CLEANING**CLEANING AIR INTAKE GRILLE (Fig. J)**

If the filter is covered with dust, the airflow and the performance of the unit will be affected. It is recommended to check and clean the air filter every 2 weeks.

- Turn off the unit and remove the filter from the unit. (J1)
- Clean the nano-silver filter with a vacuum cleaner or wash with water (under 40°C). (J2) If you wash with water, dry it completely at shaded area.
- Replace the filter in position.

CLEANING SURFACE

- Turn off the unit, wait for the fan to stop and unplug from the power socket.
- Clean the surface with a soft damp cloth.
- Dry thoroughly with a towel after cleaning.
- In order to avoid damage, do not wash the unit with water, or let water drip into the air inlet or outlet.

⚠ CAUTION

- NEVER use gasoline, solvents, chemical products or polish as they could damage the surface.

5. LONG-TERM STORAGE

At the end of each season, or when you do not plan to use your unit for an extended period of time, the following procedures are recommended.

1. Turn off the unit, wait for it to stop and unplug from the power socket.
2. Clean and dry the water tank. Leave the unit to drain for approximately one day.
3. Clean the filter and the unit. Cover the unit to prevent it from gathering dust. Store upright in a cool dry place. DO NOT expose to direct sunlight.

⚠ CAUTION

- ALWAYS store the unit in the vertical position.
- DO NOT put heavy objects on top of the unit.

6. TROUBLESHOOTING

SYMPTOM	CAUSE	SOLUTION
Unit does not work.	<ul style="list-style-type: none"> - Power cut. - The plug has been plugged improperly. - The full-tank indicator is ON. Tank is full. 	<ul style="list-style-type: none"> - Wait for power to be supplied again. - Plug in again. - Remove the drain water from the water tank.
The device does not dehumidify.	<ul style="list-style-type: none"> - The water tank is full. - The water tank has not been replaced correctly - The air filter is clogged. - The temperature in the room where the dehumidifier is operating is too low. - The relative humidity in the room where the dehumidifier is operating is too low. 	<ul style="list-style-type: none"> - Remove the water from the water tank. - Place the water tank in the correct position. - Clean the air filter. - The machine does not dehumidify below 1°C, it is highly unlikely at that temperature that there is any moisture to remove anyway. - The dehumidifier dries down to the target relative humidity set and then goes into fan only mode until the relative humidity goes above the set point again.
The dehumidifier works, but reduces the relative humidity insufficiently / there is little water in the water tank.	<ul style="list-style-type: none"> - The house is too large. - There are too many source of moisture. Bathing, washing, drying clothes and cooking all puts moisture into the air. Calor gas heating can add too much moisture into the air for a dehumidifier. - The air filter is blocked and the reduce air flow is affecting performance. 	<ul style="list-style-type: none"> - Recommend to use a dehumidifier with a greater capacity. - Recommend to use a dehumidifier with a greater capacity. Consider using a different heat source to a calor gas heater. - Clean the air filter.
Dehumidifier is blowing out warm air.	<ul style="list-style-type: none"> - The dried air is past over a heating element before it is blown into the room as part of the dehumidification process. 	<ul style="list-style-type: none"> - This is normal, a dehumidifier is not an air cooler.

SYMPTOM	CAUSE	SOLUTION
The dehumidifier is noisy.	<ul style="list-style-type: none"> - The air filter is blocked or the unit is on an uneven surface. 	<ul style="list-style-type: none"> - Clean the filter and or put the dehumidifier on a flat surface. A dehumidifier will also be noisier on wooden floors than on carpet.
The fan runs after turning the unit off.	<ul style="list-style-type: none"> - The fan is cooling the internal heater. 	<ul style="list-style-type: none"> - This is normal and the fan will run for about 2 minutes after you press the Power button to turn the unit off. Never turn the unit off at the wall until the fan has stopped running.
Check / Low humidity lamp (C7) lights	<ul style="list-style-type: none"> - The filter is clogged - Something is shutting on the air intake or the air outlet. - The room humidity is low 	<ul style="list-style-type: none"> - Clean the air intake filter - Remove it from the air intake and the air outlet. - Wait for about 30 minutes to cool the unit down and run again in the room with the humidity of above 35%.

BEFORE CALLING FOR SERVICE

The followings are not defects.

Smell coming from the dehumidifier when the first use:	⇒ The smell occurs because the Zeolite absorbs odors from items like cigarettes, cosmetics, and building materials, and discharged when the desiccant is heated. It is normal, will not last long and is not a sign of fault.
Need emptying frequently when the first use:	⇒ As the room becomes dryer, the dehumidifier collects less water.

7. SPECIFICATIONS

MODEL	TD-Z110
DEHUMIDIFYING CAPACITY	11 L/D (20°C/60%rh)
POWER SOURCE	Single Phase 220V~240V, 50Hz
POWER CONSUMPTION	740 W (High) / 400 W (Low)
OPERATING CURRENT	3.2 A
WATER TANK CAPACITY	3.8 L
OPERATING TEMP. RANGE	1°C ~ 40°C
DIMENSIONS (WxHxD)	217 x 528 x 462 mm
WEIGHT	8.2 kg

LIMITED WARRANTY

TOYOTOMI CO., LTD. ("TOYOTOMI") warrants each product and any parts thereof sold by it to be free from defects in materials or workmanship under normal use and service for TWENTY FOUR (24) MONTHS from the date of delivery to the original purchaser at retail subject to the following terms and conditions:

WHAT IS COVERED : Product or any parts thereof which are defective in materials or workmanship.

WHAT IS NOT COVERED:

This warranty does not extend to any defect due to the negligence of others; failure to install, operate or maintain unit in accordance with instructions (operating and maintenance instructions are furnished with each new unit); unreasonable use, accidents, alteration, use of unauthorized or non-standardized TOYOTOMI parts and accessories; electrical malfunction, i.e., as resulting from large power surges, short circuit, etc.; incorrect installation; or repair by anyone other than a service facility specified by TOYOTOMI.

WHO IS COVERED: The original purchaser at retail.

WHAT WE WILL DO: TOYOTOMI will either repair or replace, at its opinion, all defective parts free of charge that are covered by this limited warranty on a carry-in basis, to your nearest authorized dealer or distributor of TOYOTOMI.

WHAT YOU MUST DO FOR WARRANTY SERVICE: You must return the defective Product or part to any authorized dealer or distributor of TOYOTOMI with this LIMITED WARRANTY. If service is not available locally, please contact our CUSTOMER RELATIONS DEPARTMENT at:

TOYOTOMI EUROPE SALES B.V.
E-MAIL: info@toyotomi.eu
INTERNET: www.toyotomi.eu

THE FOREGOING EXPRESS ALL OF TOYOTOMI'S OBLIGATIONS AND LIABILITIES WITH RESPECT TO THE QUALITY OF PRODUCT FURNISHED BY IT. ALL OTHER WARRANTIES, EXPRESSED OR IMPLIED, INCLUDING THE WARRANTIES OF MERCHANTABILITY OR FITNESS FOR A PARTICULAR PURPOSE ARE DISCLAIMED. TOYOTOMI SHALL NOT BE LIABLE FOR THE LOSS OF USE OF THE PRODUCT, INCONVENIENCE, LOSS OR ANY OTHER DAMAGES, DIRECT OR CONSEQUENTIAL ARISING OUT OF, THE USE OF, OR INABILITY TO USE, THE PRODUCT OR DAMAGES RESULTING FROM OR ATTRIBUTABLE TO DEFECTS IN THE PRODUCT.

No other than TOYOTOMI has authority to extend or modify the terms of this Limited Warranty in any manner whatsoever.

Some states do not allow the exclusion or limitation of incidental or consequential damages or limitations on how long an implied warranty lasts, so these limitations or exclusions may not apply to you. This Limited Warranty gives you specific legal rights and you may also have other rights which vary from state to state.

TOYOTOMI CO., LTD.

5-17, Momozono-cho, Mizuho-ku,
Nagoya, 467-0855 Japan

www.toyotomi.jp